

AIR POWERED CHAIN SAW

**6P18 and 6P24**

OPERATION, MAINTENANCE  
and PARTS MANUAL

Publication 56963  
(Revised 10/00)

MODEL NUMBER: \_\_\_\_\_

SERIAL NUMBER: \_\_\_\_\_

SOLD & SERVICED BY: \_\_\_\_\_

\_\_\_\_\_



ARROW-MASTER, INCORPORATED

1201 Seventh Street East Moline, IL 61244

# Parts

---

## GENERAL

For your convenience, distributors have been established throughout the country. These distributors carry a supply of parts and all requests for parts should be placed with them. If some particular part is not available the distributor can obtain it promptly from the factory.

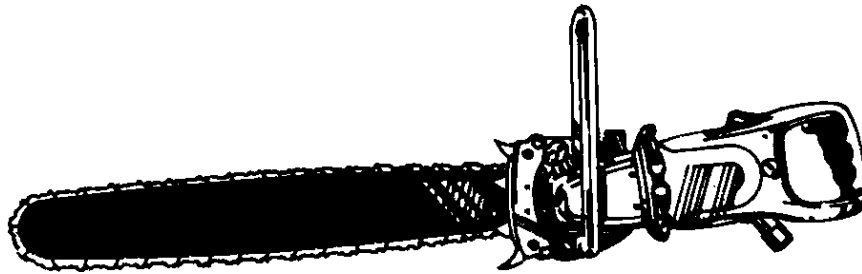
When ordering parts, it is absolutely necessary that the following information be furnished:

- A. The model number, specification number, and serial numbers found on the unit nameplate.
- B. Quantity.
- C. Part name and number. (Use part numbers from the parts listings. Do Not refer to the key numbers.)

## ILLUSTRATED PARTS LIST

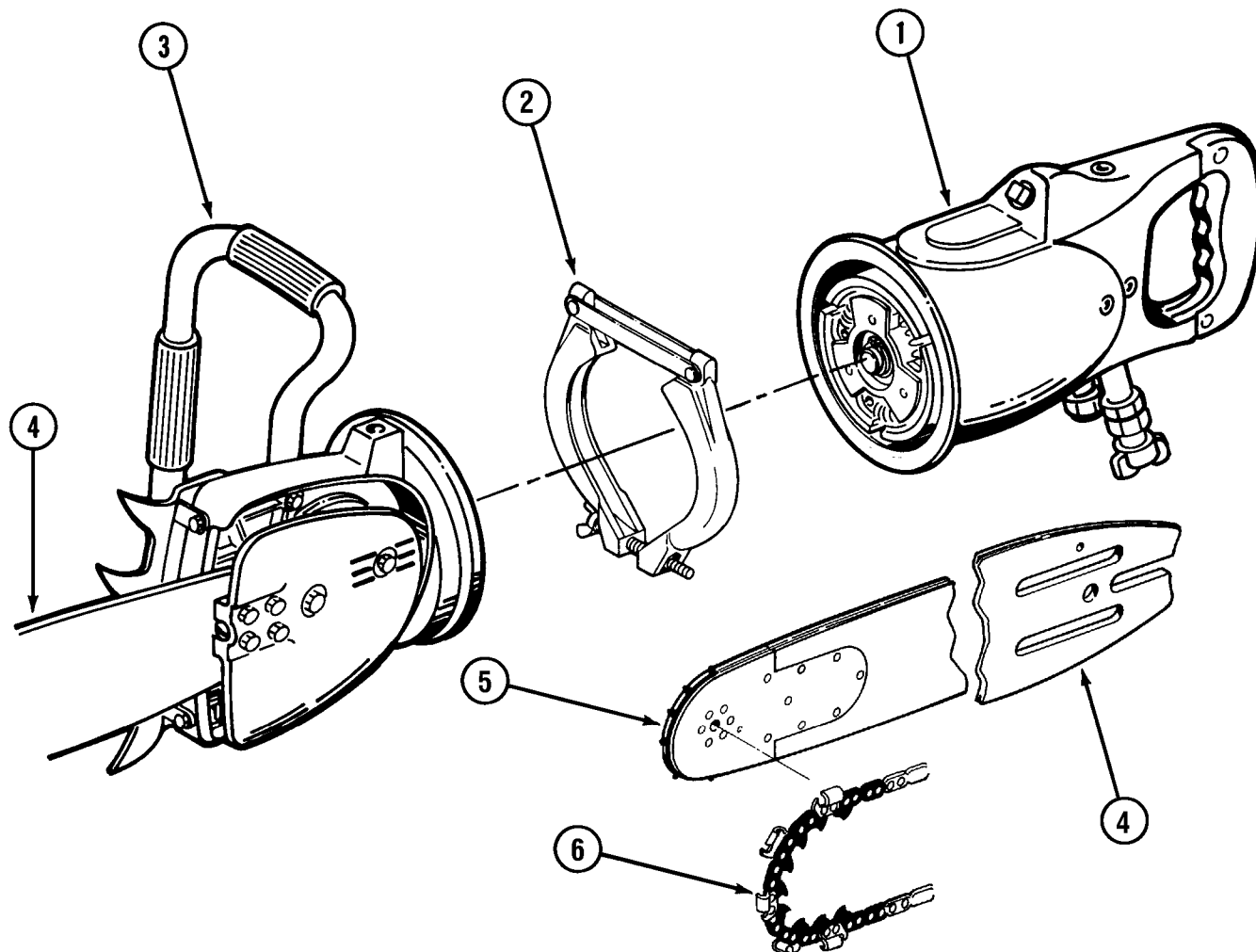
The Illustrated Parts List contains a breakdown of the equipment into its assemblies, subassemblies and detail parts. Each assembly is followed by its component parts, indented to show their relationship to the assembly.

The Illustrated Parts List contains a complete listing of replaceable parts for the models covered in this manual.



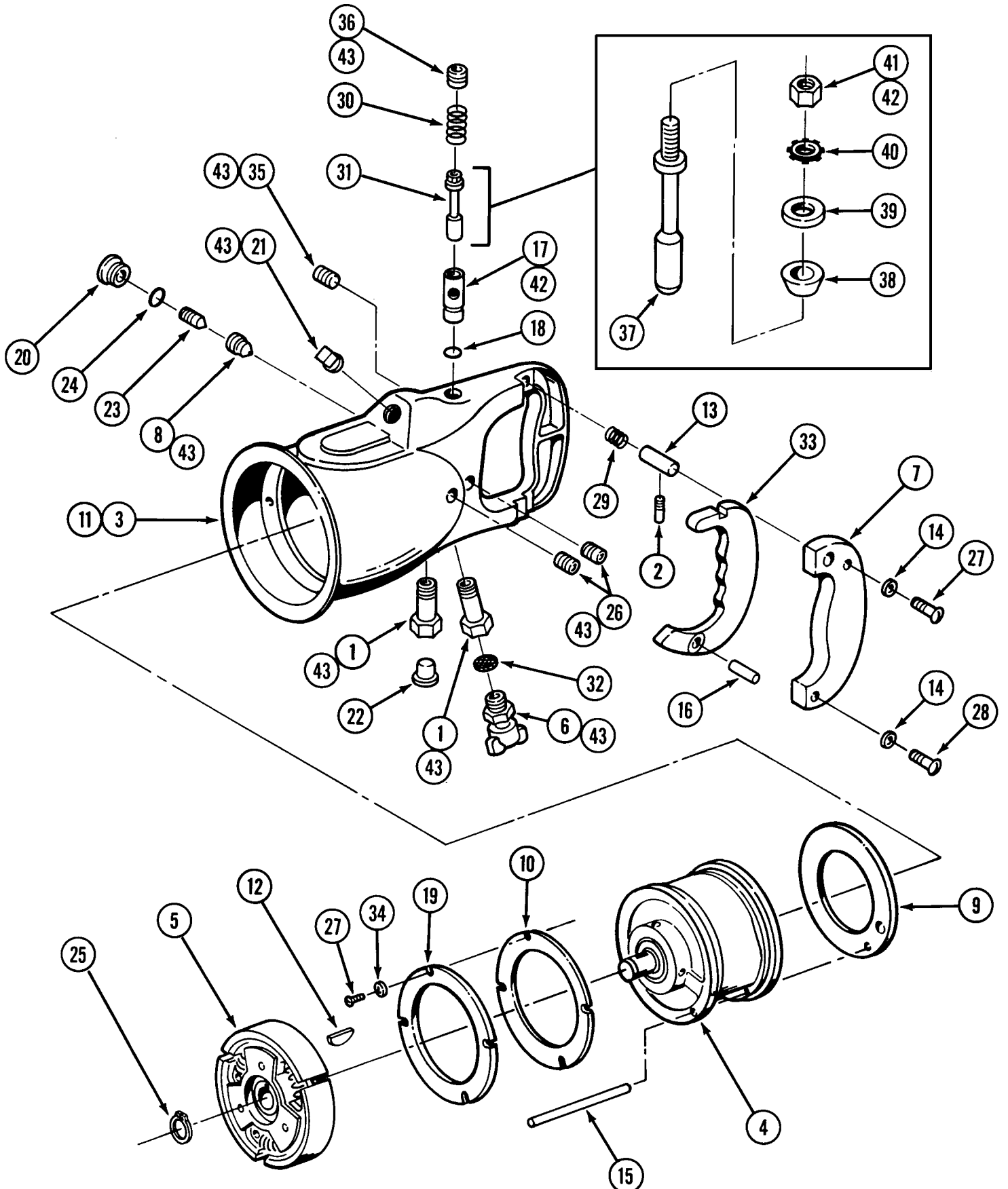
## AIR POWERED CHAIN SAW **6P18 and 6P24**

**Figure 7-1  
SAW ASSEMBLY**



ITEM	PART NO.	QTY	DESCRIPTION
1	44745A	1	Motor Assembly (See Figure 7-2)
2	M48380	1	Index Assembly (See Figure 7-5)
3	43180	1	Transmission Assembly (See Figure 7-6)
4	M48678	1	Model 6P18 Blade Bar Assembly (Includes Item 5)
	M48369	1	Model 6P24 Blade Bar Assembly (Includes Item 5)
5	M48545	1	Sprocket Nose Assembly
6	M48676	1	Model 6P18 - Chain, .404 Pitch
	M48677	1	Model 6P24 - Chain, .404 Pitch

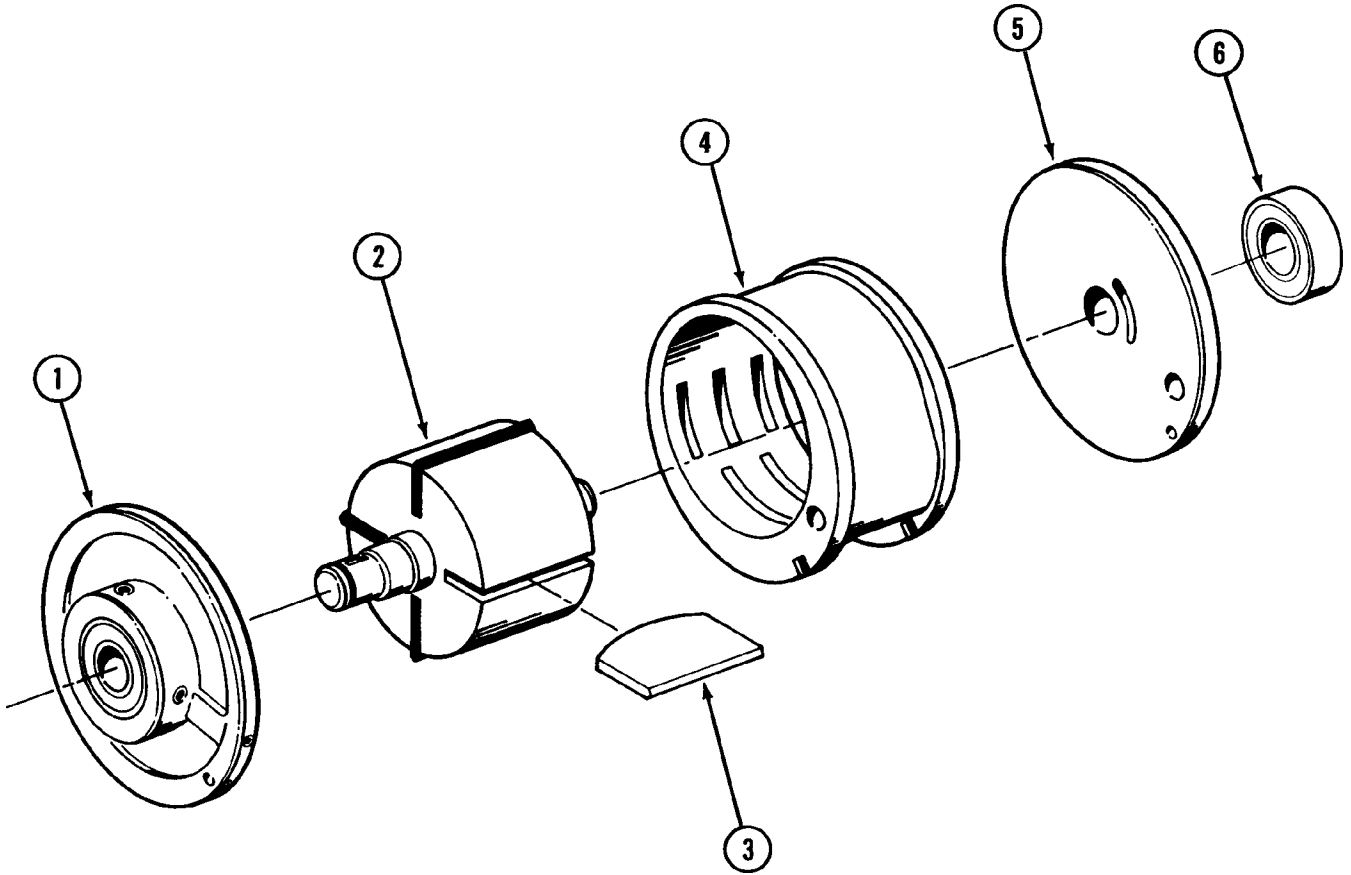
Figure 7-2  
MOTOR ASSEMBLY  
(44745A Ref.)



## MOTOR ASSEMBLY

ITEM	PART NO.	QTY	DESCRIPTION
1	44709A	2	Adapter
2	44708	1	Pin, Grooved
3	44736	1	Motor Housing Assembly
4	M46704	1	Motor Sub-assembly (See Figure 7-3)
5	M48453	1	Clutch Assembly
6	19064	1	Hose Coupling
7	44751	1	Handle Cover
8	77403	1	Insert (Part of Item 3)
9	45014	1	Gasket, Housing
10	45073	1	Gasket, Fiber
11	44721	1	Motor Housing (Part of Item 3)
12	104370	1	Key, #5 Woodruff
13	47184	1	Trigger Lock
14	103213	2	Lockwasher, #8
15	CH24014	1	Cylinder Pin
16	24940	1	Trigger Pin
17	44747	1	Valve Bushing (Part of Item 3)
18	45519	1	O-Ring (Part of Item 3)
19	45015	1	Housing Plate
20	5212	1	Grease Plug
21	105854	1	Pipe Plug, 3/4"
22	45047	1	Protector
23	24024	1	Oil Regulator (Part of Item 3)
24	45145	1	O-Ring (Part of Item 3)
25	31603	1	Retaining Ring, External
26	M45629-02	2	Pressure Plug, 1/4"-18 NPT
27	101106A	5	Screw, Rd. Hd. Phillips; #8-32 x 1/2"
28	101110	1	Screw, Rd. Hd. Phillips; #8-32 x 1"
29	44738	1	Compression Spring
30	44746	1	Compression Spring
31	44725	1	Valve Stem Assembly
32	24055A	1	Strainer, Air Inlet
33	44723	1	Trigger
34	31723	4	Washer
35	M45629-03	1	Pressure Plug, 3/8"-16 NPT
36	M45629-04	1	Pressure Plug, 1/2"-14 NPT
37	47018	1	Valve Stem (Part of Item 31)
38	M48471	1	Washer (Part of Item 31)
39	47017	1	Washer, Plain (Part of Item 31)
40	WLE-1	1	Lockwasher, #6 External Tooth (Part of Item 31)
41	103004	1	Hex Nut, #6-32 (Part of Item 31)
42	M15219-10	A/R	Loctite® #680
43	M15219-13	A/R	Loctite® #510

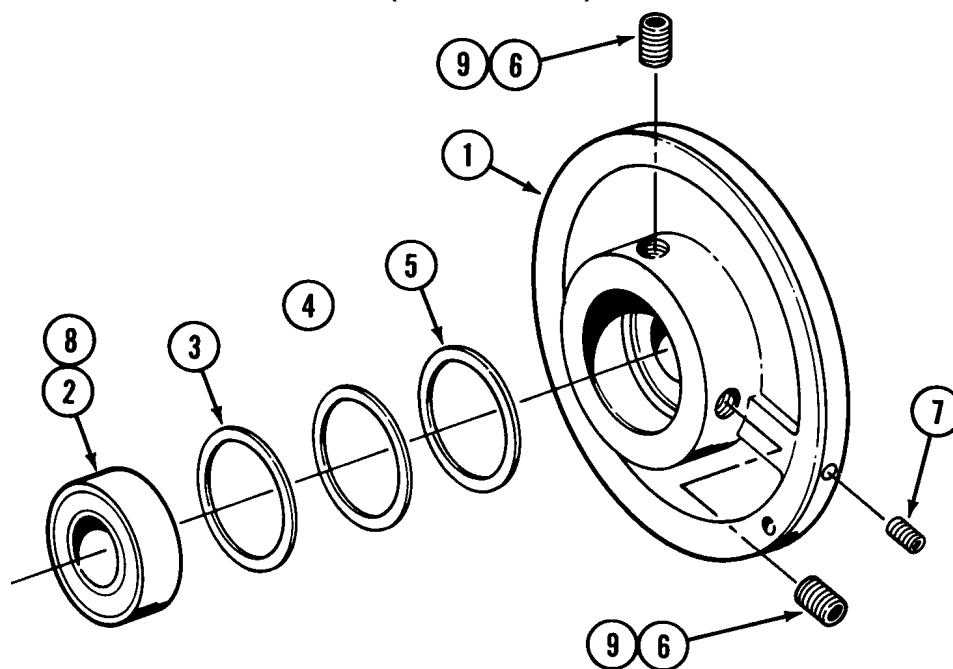
**Figure 7-3**  
**MOTOR SUB-ASSEMBLY**  
**(M46704 Ref.)**



ITEM	PART NO.	QTY	DESCRIPTION
1	M48462	1	Assembly, Front End Plate (See Figure 7-4)
2	44728	1	Motor Rotor
3	44729	4	Rotor Blade

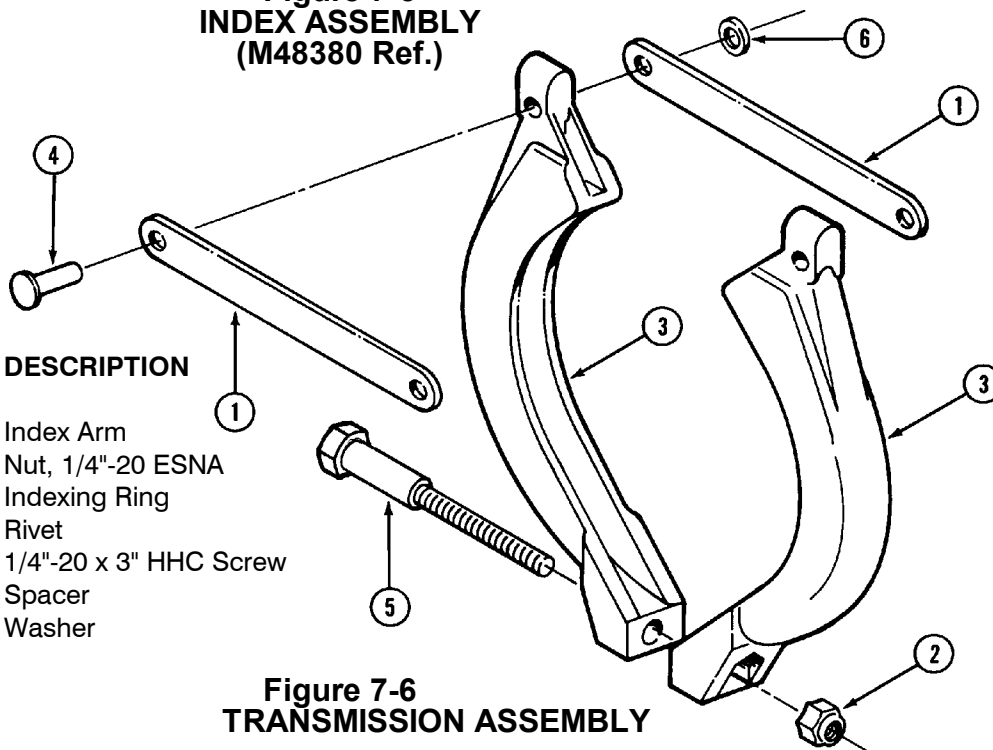
ITEM	PART NO.	QTY	DESCRIPTION
4	44722	1	Motor Cylinder
5	44726	1	Back End Plate
6	20032	1	Ball Bearing

**Figure 7-4  
FRONT END PLATE ASSEMBLY  
(M48462 Ref.)**



ITEM	PART NO.	QTY	DESCRIPTION	ITEM	PART NO.	QTY	DESCRIPTION
1	44727	1	Front End Plate	6	SF5-2.5K	2	Set Screw, 5/16"-24 x 5/16"
2	20032	1	Ball Bearing	7	SC2-1.5	1	Set Screw, #8-32 x 3/16"
3	44866	A/R	Shim, .001"	8	M15219-10	A/R	Loctite® #680
4	44867	A/R	Shim, .003"	9	M15219-2	A/R	Loctite® #510
5	44868	A/R	Shim, .005"				

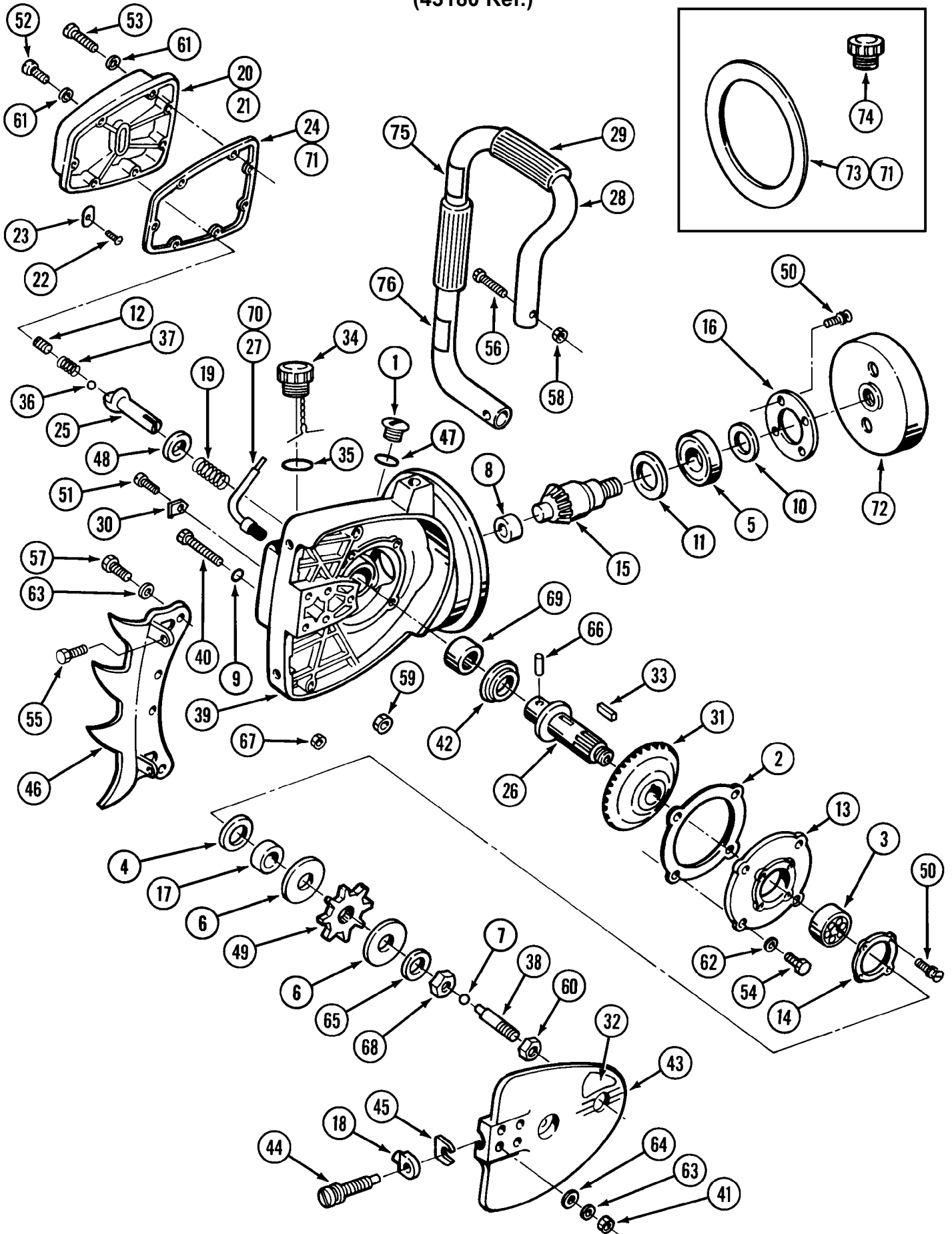
**Figure 7-5  
INDEX ASSEMBLY  
(M48380 Ref.)**



ITEM	PART NO.	QTY	DESCRIPTION
1	M48379	2	Index Arm
2	NEC-4Z	1	Nut, 1/4"-20 ESNA
3	41156	2	Indexing Ring
4	36277	2	Rivet
5	H5C4-24C M48821	1	1/4"-20 x 3" HHC Screw Spacer
6	31723	2	Washer

**Figure 7-6  
TRANSMISSION ASSEMBLY**

(43180 Ref.)



## TRANSMISSION ASSEMBLY

ITEM NO.	PART NO.	QTY	DESCRIPTION	ITEM NO.	PART NO.	QTY	DESCRIPTION
1	5212	1	Grease Plug	40	42806A	5	HH Cap Screw, 5/16"-24 x 2-1/4"
2	21994	3	Retainer Gasket, .003"	41	42808	5	Nut, Heavy; 5/16"-24
	21994A	3	Retainer Gasket, .01"	42	43101	1	Retaining Ring
	21994B	3	Retainer Gasket, .02"	43	43119A	1	Sprocket Cover
3	22531	1	Ball Bearing	44	43124	1	Adjusting Screw
4	22532	1	Oil Seal	45	43126	1	Retainer
5	22543	1	Ball Bearing	46	43791	1	Sticker
6	22564	2	Washer	47	45145	1	O-Ring
7	24857	1	Steel Ball, 3/16"	48	60160	1	Oil Seal
8	25508	1	Needle Bearing	49	90073	1	Sprocket
9	27785	1	O-Ring	50	100626B	8	Screw, Flat Hd. Slotted; #10-24 x 1/2" w/LW; Gr 5
10	29674	1	Brass Washer				
11	30027	1	Oil Seal	51	101123B	1	Mach. Screw, Fil. Hd.; #10-24 x 5/16"
12	30842	1	Spring Stop Screw				
13	35666A	1	Transmission Cover	52	101127B	5	Mach. Screw, Fil. Hd.; #10-24 x 5/8"
14	35808A	1	Bearing Retainer				
15	35809	1	Spiral Gear	53	101141B	2	Mach. Screw, Fil. Hd.; 1/4"-20 x 1-3/8"
16	36285	1	Bearing Retainer				
17	36286	1	Transmission Spacer	54	101168	4	Mach. Screw, Fil. Hd.; 1/4"-20 x 3/4"
18	36921	1	Adjusting Block				
19	40719	1	Compression Spring	55	102203	2	Screw, Hex Hd., 1/4"-28 x 7/8"; Gr 5
20	41818B	1	Transmission Cover Assembly				
21	40912C	1	Cover (Part of Item 20)	56	102207	2	Screw, Hex Hd., 1/4"-28 x 1-3/4"
22	41816	1	SEMS, Rd. Hd.; #6-32 x 3/8" (Part of Item 20)	57	102223	2	Screw, Hex Hd., 5/16"-24 x 7/8"
				58	103120B	2	Nut, Hex; 1/4"-28
23	41817	1	Pump Cam (Part of Item 20)	59	103121		Nut, Hex; 5/16"-24
24	40913	1	Fiber Gasket	60	103140	1	Nut, Jam; 5/16"-24
25	40914	1	Pump Plunger	61	103220	2	Lockwasher, #10
26	40915	1	Shaft Sprocket	62	103221	4	Lockwasher, 1/4"
27	41100	1	Tube Assembly	63	103222	7	Lockwasher, 5/16"
28	41107C	1	Handle Assembly	64	103608	5	Flatwasher
29	M32706	2	Grip (Part of Item 28)	65	103614	2	Flatwasher, 1-1/4"
30	41108	1	Hold-Down Clip	66	105202	1	Dowel Pin, 1/8" x 5/8"
31	41310	1	Bevel Gear	67	118313	2	Locknut, Hex; 1/4"-28
32	41677	1	Decal, "Chain Oiler Adjustment"	68	118346	1	Locknut, Hex; 7/16"-20
33	41843	1	Key, 1/8" x 3/16" x 1/2"	69	M6857-108	1	Needle Bearing
34	42051	1	Oil-Cap Assembly	70	M15219-10	-	Loctite« 680
35	46151	1	O-Ring (Part of Items 34 & 74)	71	M18597	-	Permatex
36	42374	1	Teflon Ball, 3/16"	72	M48454	1	Clutch Drum
37	42375	1	Spring	73	45063	1	Underwater Gasket, (Optional)
38	42742	1	Spring Stop Screw	74	47063	1	Underwater Oil-Cap Assembly, (Optional)
39	42757B	1	Transmission Housing	75	M29938	1	Decal - Read Instructions
				76	M48931	1	Decal - Warning