

GAS-POWERED, VIBRATORY
ALUMINUM SCREED
PARTS MANUAL

**ARROW-MASTER
INCORPORATED**



ARROW-MASTER, INCORPORATED

1201 Seventh Street • East Moline, IL 61244

SERVICE AND REPLACEMENT PARTS

For normal servicing of your Manual and Self-Propelled Screeds contact your dealer. Replacement parts are generally available from your dealer.

Where local service is not available, replacement parts may be obtained directly from the factory. Please specify the part number, description, and model number as shown in the Illustrated Parts Section. Include the serial number of your compactor. Do not use key numbers.

Where factory service is required, please send inquiries on service and parts to:

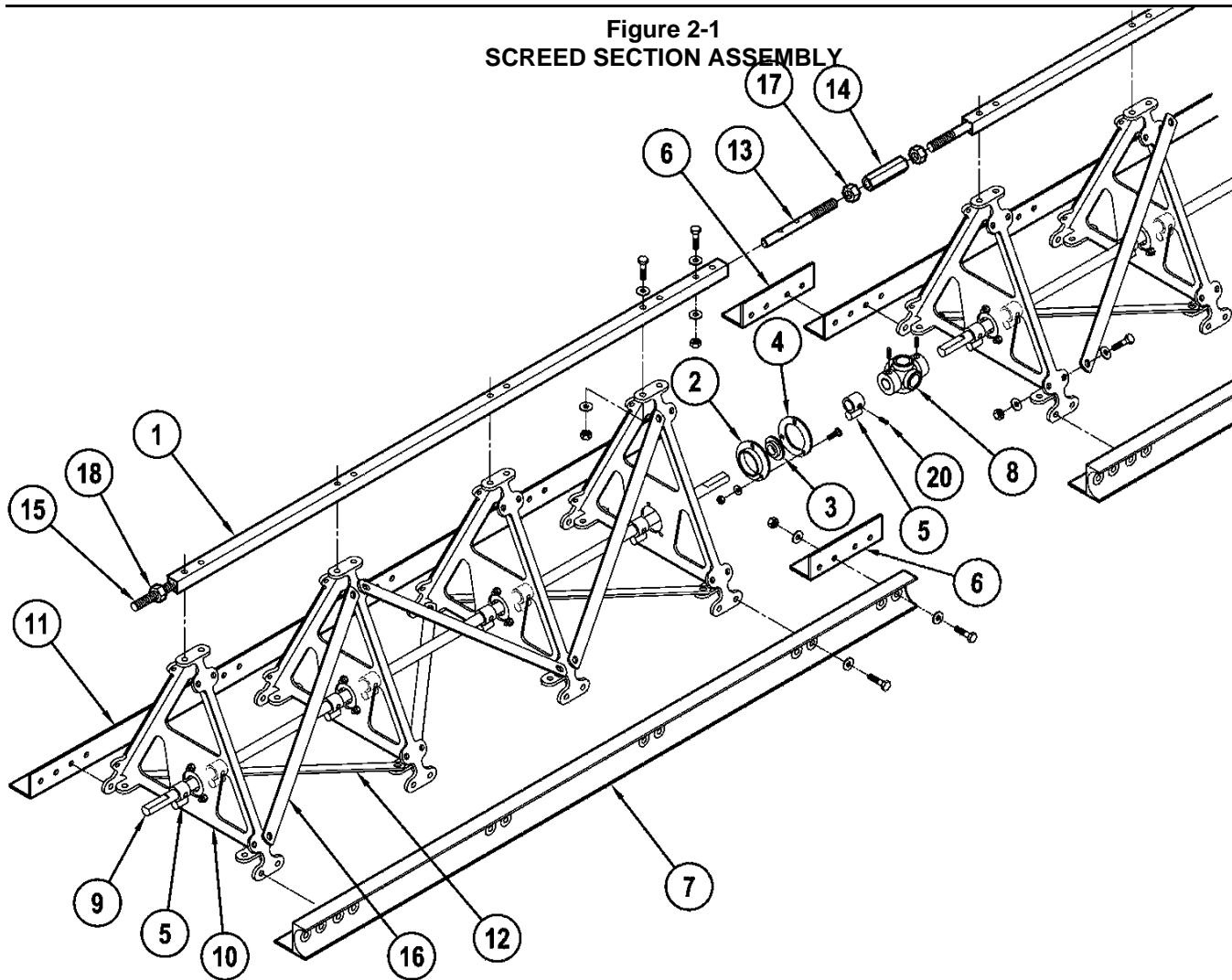
ARROW-MASTER INCORPORATED
1201 7TH STREET
EAST MOLINE, IL 61244
phone: 309-752-1341

website: www.arrowmaster.com

DO NOT USE KEY NUMBERS WHEN ORDERING SERVICE PARTS. ALWAYS ORDER COMPONENTS BY PART NUMBER AND DESCRIPTION. INCLUDE MODEL AND SERIAL NUMBER.

Parts

Figure 2-1
SCREED SECTION ASSEMBLY



Key No.	Part No.	Description	Key No.	Part No.	Description
1	M45085	Top Tube, (7.5' section only)	10	M45081-01	"A" Frame Support
	M45086	Top Tube, (5' & 10' sections only)	11	M46148	Tail Runner (2.5' section only)
	M45087	Top Tube, (2.5' section only)		M46149	Tail Runner (5' section only)
2	M48068-2	Bearing Flange		M46150	Tail Runner (7.5' section only)
3	M48067	Bearing		Tail Runner (10' section only)
4	M48068-1	Bearing Flange w/Zerk	12	M46275-1	Bottom Strap
5	M45094-01	Eccentric Weight (Includes Item 20)	13	M45112-1	Threaded Rod, RH
6	M45110	Connector Bracket	14	M45113	Top Tube Coupler
7	M46154	Front Runner (2.5' section only)	15	M45112-2	Threaded Rod, LH
	M46155	Front Runner (5' section only)	16	M48275-2	Side Strap
	M46156	Front Runner (7.5' section only)	17	NJC-12C	3/4"-10 Jam Nut, R.H.
.....		Front Runner (10' section only)	18	NJC-12CL	3/4"-10 Jam Nut, LH.
8	M48804	U -Joint	19	M46226	Bearing Assembly (Includes Items 2, 3, & 4)
9	M45091-1	Shaft, Vib. (7.5' section only)	20	SC6-3C	3/8"-16 x 3/8" Soc. Hd. Set Screw
	M45091-2	Shaft, Vib. (5' & 10' sections only)			
	M45091-3	Shaft, Vib. (2.5' section only)			

**Figure 2-2
POWER UNIT ASSEMBLY**

Key No.	Part No.	Description
1	M33008	Engine, Honda 5.5H
	M48968	Engine, Briggs and Stratton 6.5HP
	M32993	Engine, Honda 8HP
	M32676	Engine, Briggs and Stratton 8HP
2	M32995-01	Belt Guard Bracket Assembly
3	M45929	Clutch, 5.5HP & 6.5HP
	M48742	Clutch, 8HP
4	M48949	Belt Guard
5	M45927	V-Belt - 5.5HP & 6.5HP
	M48743	V-Belt - 8HP
6	M45088	Engine Mounting Weldment, 5.5HP & 6.5HP
	M48817	Engine Mounting Weldment, 8HP
7	M45928	Pulley
8	M48804	U-Joint
9	M46631	Guard Weldment (Self-propelled only)
10	M46733-11	Elbow, Str. Thread (Self-propelled Only)
11	M46619	Hydraulic Pump (Self-propelled Only)
12	M46733-8	Elbow, Str. Thread (Self-propelled Only)
13	M46630	Pump Mounting Plate (Self-propelled Only)
14	M46626	Pump Mount Weldment (Self-propelled Only)
15	M46791	Cast Sheave (Self-propelled Only)
16	M48134	V-belt (Self-propelled Only)
17	M46711	Steel Sheave (Self-propelled Only)
18	M45096-02	Aluminum Screed Assembly, 5' (See Figure 2-1)
19	M45099-01	End Section Assembly
20	M46341-08	Throttle Assembly
21	M48975	Hydraulic System Assembly (See Figure 2-3) -2006
	M49018	Hydraulic System Assembly (See Figure 2-3) 2007-
23	M19535	Clutch Spacer (Small) - Briggs (3) Honda (4)
24	K3-12	Square Key, 3/16" X 1-1/2"
	K4-10	Square Key, 1/4" X 1-1/4", 8hp
25	805433-3	Flat Washer
26	H5F5-7C	Clutch Bolt. 5/16"-24 x 7/8"
	H5F7-10C	Hex Hd Screw 7/16-20 x 1-1/4", 8 HP
27	T631116	Vibration Spacer
31	M29938	Read Instructions Decal
32	M32063	Hot Muffler Decal
33	M32117	Do not Refuel Decal
34	M45010	Arrow-Master Logo Decal
35	M46461	Ear Protection Required Decal
36	M48022	Crank Decal
37	M48023	Hydraulic System Bypass Decal
38	M48024	Caution Rotating Shaft Decal
39	M48025	Travel Speed - Decal
40	M48026	Rotating Machinery Decal
41	M48027	Caution Moving Belts Decal
42	M48028	Operating Instructions Decal
43	M48029	Winch Controls Decal
44	M48030	Master Eagle Decal
45	M48032	Engine Speed Decal
46	M 5621	Serial Number Plate

Figure 2-3
SCREED FRAME ASSEMBLY
Self-Propelled

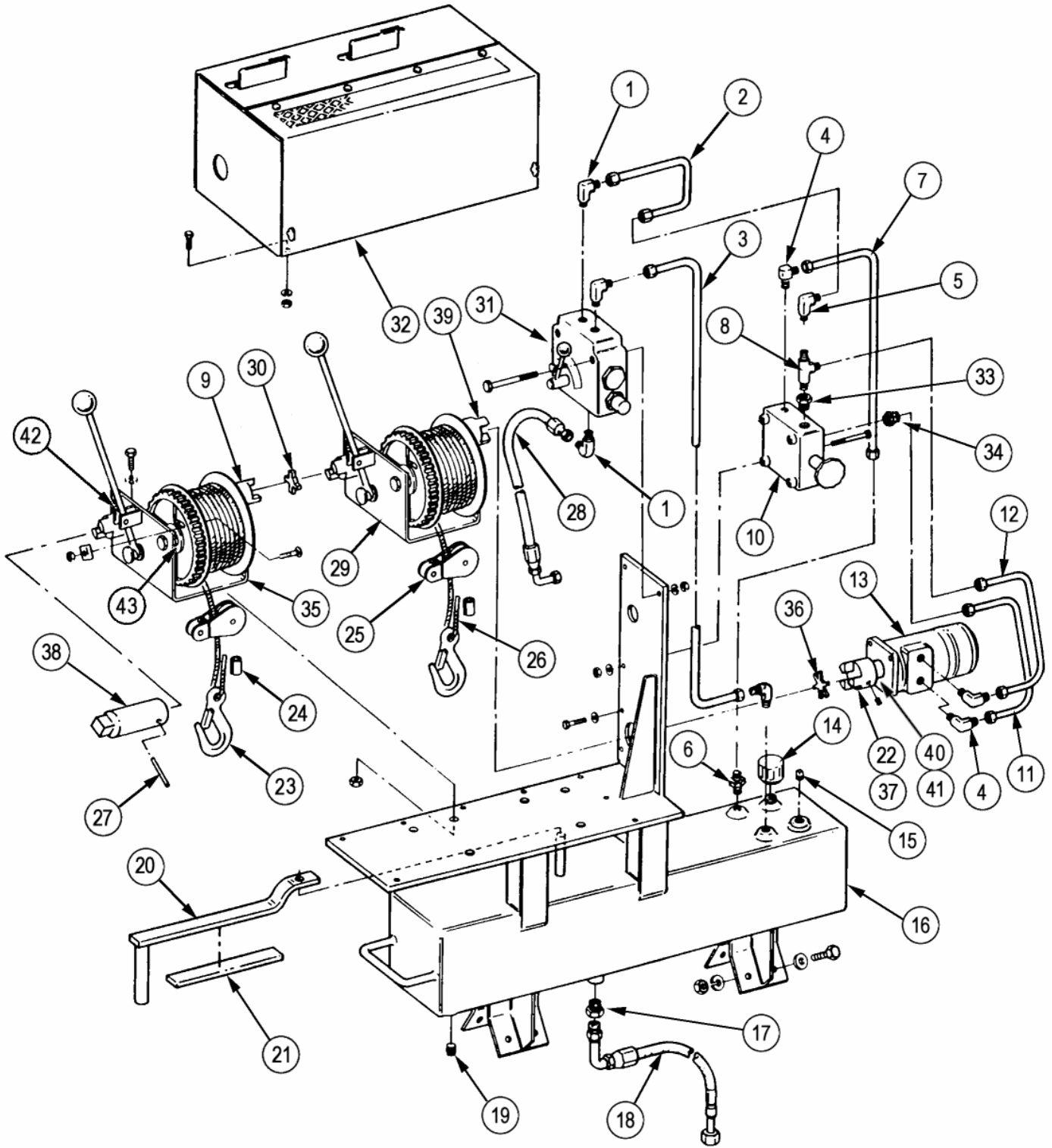
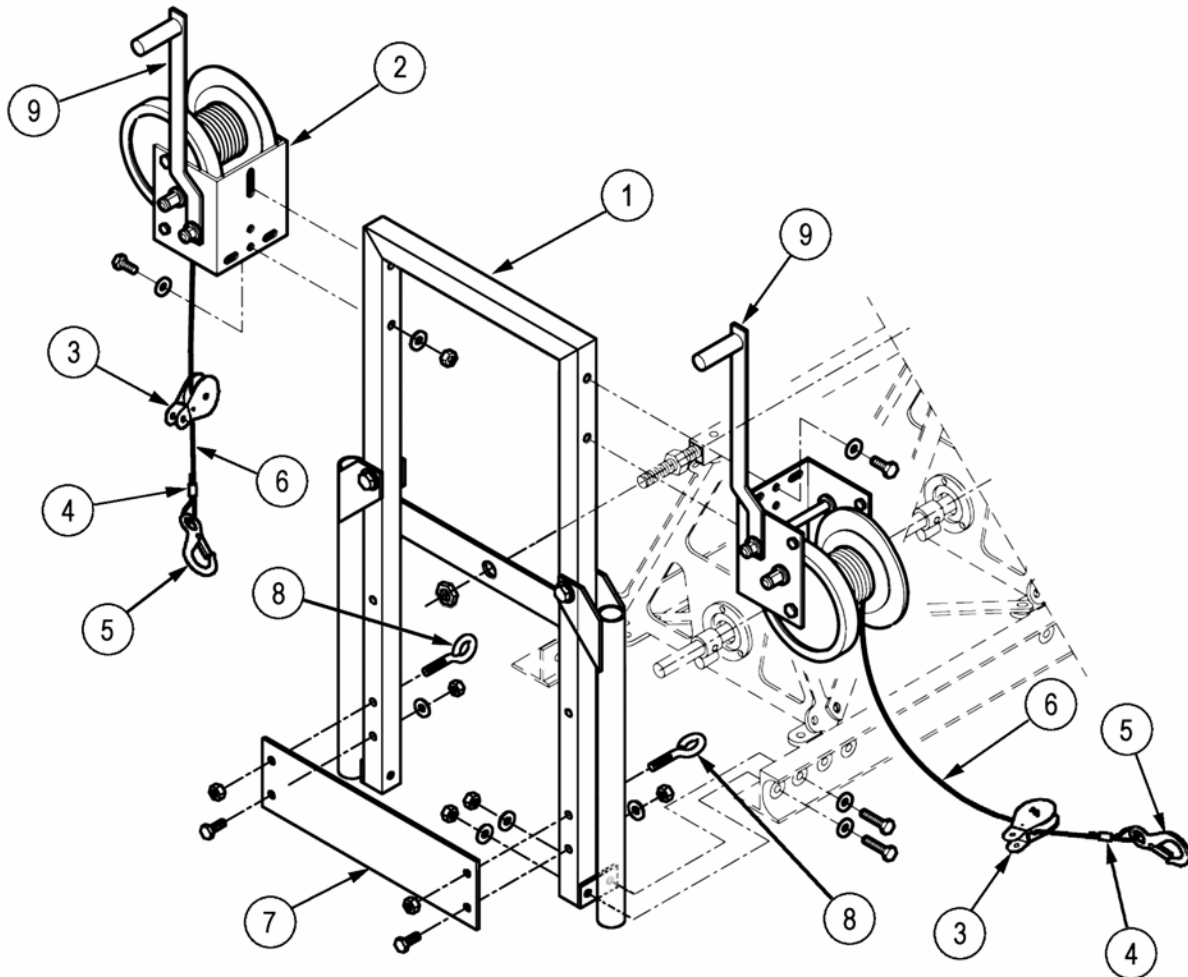


Figure 2-3
SCREED FRAME ASSEMBLY
Self-Propelled

Key No.	Part No.	Description
1	M46772-10	Elbow Adapter, 90° 3/8P-3/8T
2	M46778	Hose, Flow Valve to Bypass Valve
3	M46777	Hose, Flow Valve -Tank
4	M46772-15	Elbow Adapter, 90° 1/2P-3/8T
5	M46790-3	Swivel Nut Elbow Adapter
6	M46771-13	Nipple Adapter, 3/8P-3/8T
7	M46774	Hose, Bypass Valve -Tank
8	M46773-4	Male Run Tee Adapter, 1 /4P-3/8T -3/8T
9	M46950	Coupling
10	M46726	Directional Control Valve
11	M46775	Hose, Motor -Bypass Valve
12	M46776	Hose, Bypass Valve -Motor
13	M46618	Hydraulic Motor
14	M46760	Breather Cap
15	M 8257	1/2" Pipe Plug
16	M46595	Frame Weldment
17	M46771-18	Nipple Adapter. 1/2P-3/4T
18	M46652	Hydraulic Hose Assembly, 1/2" Tank to Pump
19	M48583	3/8" Pipe Plug
20	M45168-2	Winch Handle (...-2006)
21	M46770	Foam Rubber Stripping (...-2006)
22	Coupling Weldment (...-2002)
	M48969	Coupling (2003)
23	M45165	Safety Hook
24	M45827	Cable Clamp
25	M48090	Pulley Modified
26	M45930	Cable. 1/8" x 140'
27	ROP8-12	Roll Pin, 1/8" x 3/4" (...-2006)
28	M46653	3/8" Hose, Flow Valve to Pump
29	M48974	Winch Weldment (2003 . . .)
30	M46951	Coupling Spider
31	M46617	Flow Control Valve
32	M46930	Winch Cover Assembly
33	M48091-8	Reducer Adapter, 1/2M-1/4F
34	M46771-17	Nipple Adapter, 1/2P-3/8T
35	M48063	Winch Weldment (...-2006)
	M49015	Winch Assy - Outboard (2007-...)
	M49014	Winch Assy - Inboard (2007-...)
36	M48015	Coupling Spider (...-2002)
	M48971	Coupling Spider (2003-...)
37	KW-91	Woodruff Key, 1/4"
38	M46764	Hand Crank Extension (...-2006)
39	M48017	Coupling (...-2002)
	M48970	Coupling (2003-...)
40	M48972	Spacer
41	M48973	Shim
42	M46624	Return Spring (...-2006)
43	M46625	Compression Spring

Figure 2-4
END SECTION ASSEMBLY



Key No.	Part No.	Description
1	M45099-01	End Section Weldment
2	M48939	Winch (Manual Screed only)
3	M48090	Cable Pulley
4	M45827	Cable Clamp
5	M45165	Safety Hook
6	M45930	Cable, 1/8" x 140'
7	M45104	End Support Plate
8	M46765	Modified Eye Bolt, 3/8"-16
9	M45168-2	Winch Handle